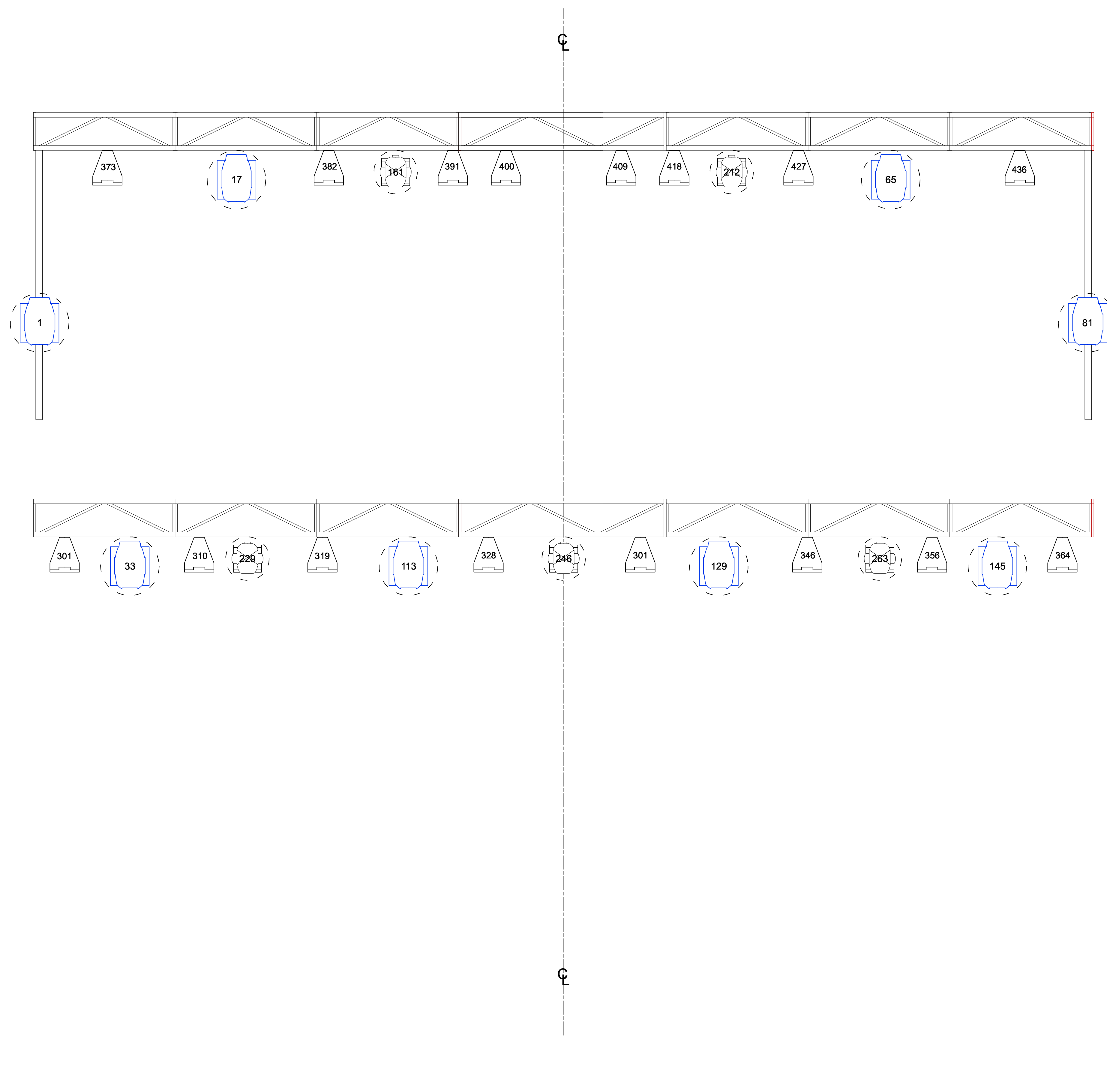





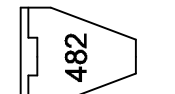


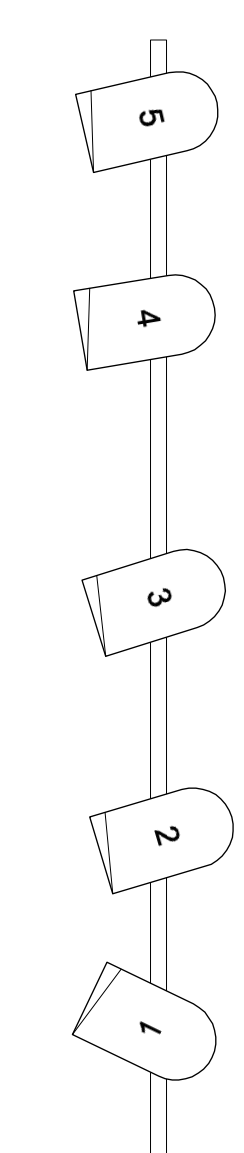
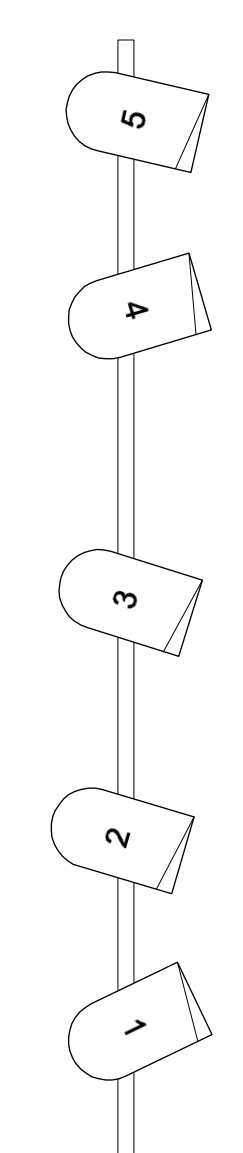
735 Queen St. E.
Toronto, Ontario

Tel: 416-466-0313

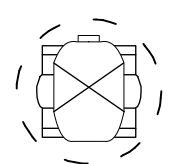
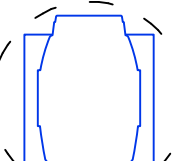
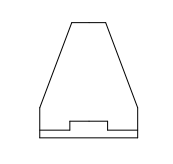
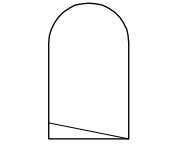



Front Wash 
 Proscenium 

 Front Wash
 Proscenium



Key

-  5 - MAC 250 KRYPTON EXTENDED 17CH
-  8 - BEAM 200W 16CH
-  14 - RGBWA LED 9 CH
-  10 - PAR 64 1K
-  1 - RADIANCE HAZER

SCALE: Not to scale

UPDATED ON: NOV 2016

THE OPERA HOUSE

Lighting Plot